



tuffbank™

Featuring IntaLokt locking mechanism

Product code: TB2

- » Our best-selling range of secure tool and equipment storage.
- » TuffBanks adhere to rigorous test standards required by the police.
- » Unique external and internal anti-jimmy systems for added security.



Product features



2x 5-lever deadlocks



Forklift skids



Gas strut (300N)



IntaLokt locking mechanism



No detachable parts



SlamStop lid stay SLM2

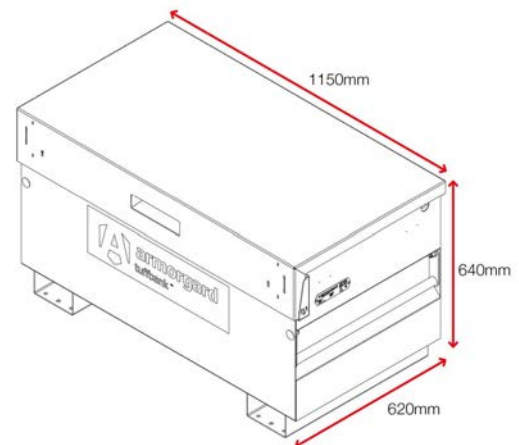


Suitable for site

Specifications

Weight	80kg
Colour	Black grey: RAL 7021, Traffic red: RAL 3020
Suitable for	Site
Finished coating	Powder coated
Material & thickness	2mm and 5mm steel
Quantity of keys	3 keys
Suitable for vehicle mounting	Yes
How are castors fitted?	Castor plates
Other sizes available	7 other sizes
Qty of shelves as standard	No

Dimensions - External dimensions includes protrusions



Optional extras - Contact Armorgard to find out more



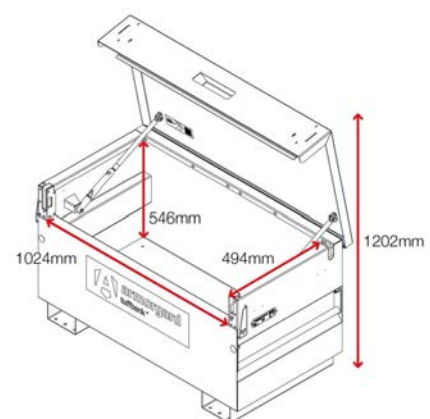
Castor Kit CASS1



Crane lifting eyes CLEK



TuffBank Shelf SHE-4



Disclaimer: all dimensions and weights are approximate