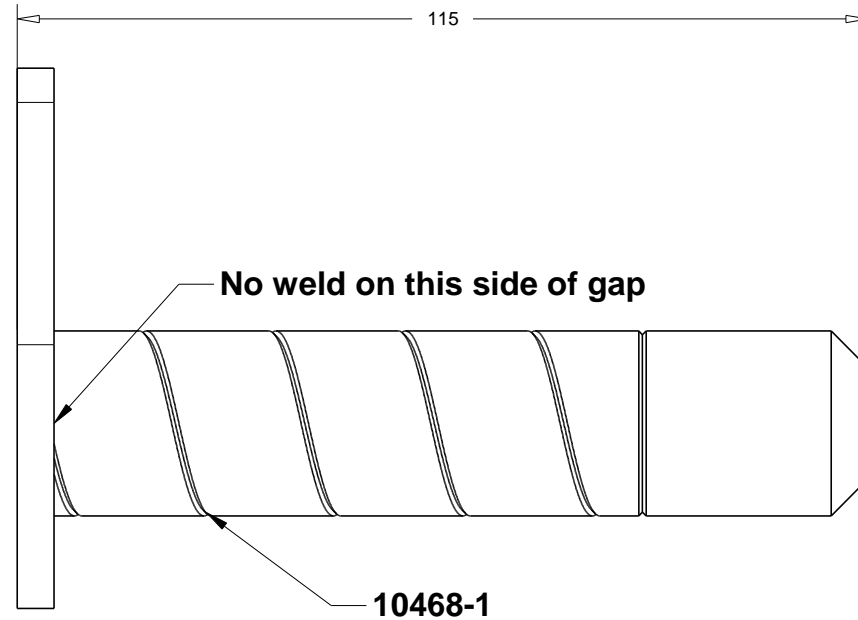
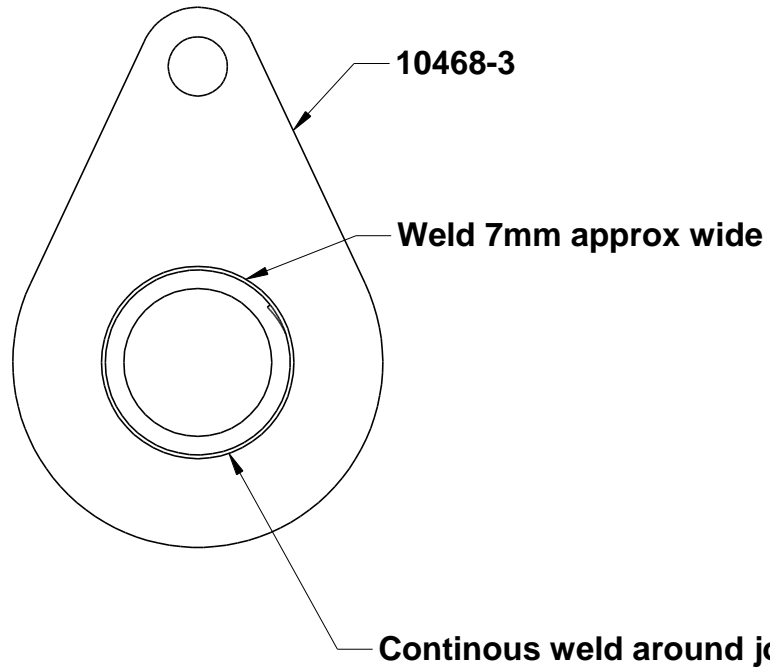
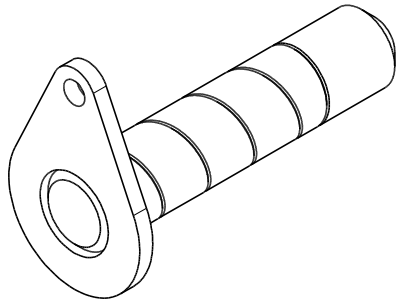


IF IN DOUBT ASK



Completed assembly to be Zinc plated with clear passivate

Scale:		Vehicle type	Model year	Description:	
		ALL		PIN WITH SPIRAL	
Drawn by DLS	Date 16/05/12	Chassis size			
Checked by PJM	Date 03/10/12	Cab type			
Approved by	Date	Roof height	DWG NO		Issue
			10468-0		1